

【 Cross-reference table 】

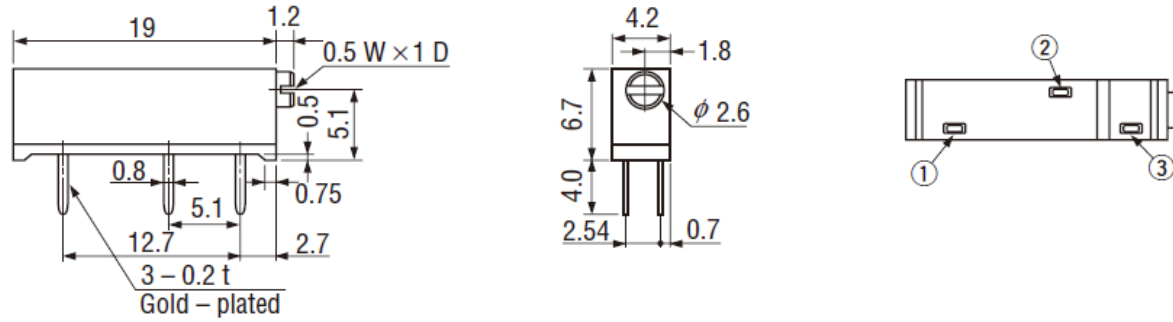
Series name : μ -8(1208)

		μ -8 (1208)	CT-20
Resistive element		Wirewound	Cermet
Mechanical Turn		16 turns	15 turns
Operating torque		7.85mN·m maximum	35mN·m maximum
Stop strength		Clutch action	←
Rotational life		200 cycles	←
Electrical continuity		Continuous for full mechanical range	12 turns
Power rating		0.5W(70°C)	←
Resistance tolerance		±10%	←
End resistance		2 % or 1 Ω , whichever is greater	1 % or 2 Ω , whichever is greater
Temp. coefficient		±50 $10^{-6}/^{\circ}\text{C}$ maximum	10,20,5M Ω :±250 $10^{-6}/^{\circ}\text{C}$ maximum 50~2M Ω :±100 $10^{-6}/^{\circ}\text{C}$ maximum
Insulation resistance		1000M Ω minimum (DC500)	←
Dielectric strength		AC900V,60s	AC600V,60s
Operating temp. range		-55°C~+120°C	←
Outline	Dimension	19×4.2×6.7mm	5.0×6.4×19mm
	Color	Red	Blue
	Remarks	Please refer to "OUTLINE DIMENSIONS" for more details.	

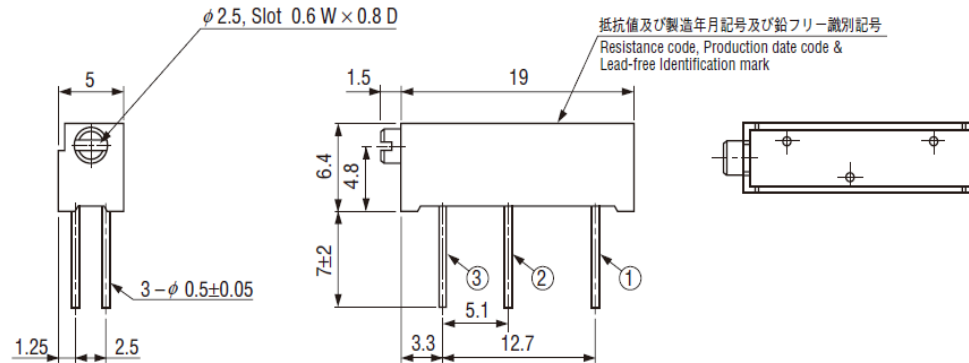
COPAL ELECTRONICS

OUTLINE DIMENSIONS

μ -8P
(1208P)



CT-20EP



COPAL ELECTRONICS